

GAS POWERED NAILER OWNER'S MANUAL



To reduce the risk of possible injury. User must read this manual before operate, handle, maintain this tool.
Please keep this manual in safe place for future reference.

Table of content

1. General warning	3
General safety warning	3
Tool safety warning	3-4
Fuel safety warning	4
Battery safety warning	5
Battery charger safety warning	5
Charger safety warning	6
2. Operation instruction	8
Load and unload the fuel cell	8
Load and unload the fastener	8
Depth of drive adjustment	9
Actuate method and the steps to fire the tool	9
Jam clearing for tool	9
Charge the battery and LED showed on tool and battery charger	10
3. Maintenance instruction	11
General maintenance	11
Lubrication and cleaning	11
Cold weather	11
Storage	12
4. Trouble shooting / Spare parts	13
5. Declaration of conformity	17

1. General warning

General safety warning

- User must wear eye protection which conforms to ANSI specification with front and side protection against flying object; when handling, operating, and servicing the tool. It is employer's responsibility to enforce user and all other nearby personnel at worksite to wear eye protection when operating the tool.
- It is recommended to wear ear protection near or at the job site to prevent hearing damage.
- Beware of the danger of entangled clothe and hair. Do not dress loose clothing and jewelry at work. Keep you hair, clothing, and gloves away from moving part of the tool.
- Keep your finger AWAY from the trigger when the tool is not in use. This will prevent accidental fire of the tool.
- This tool is not designed to be used in explosive atmosphere. The design of this tool will generate spark and the exhaust will also cause possible danger to ignite highly flammable fuel or gas. Do not use this tool in this kind of environment. Please also not smoke while using or handling the tool and fuel cell.
- The fuel cell is high pressure liquefied gas bottle. Keep it away from spark, fire or high temp and explosive environment. Do not puncture the bottle or attempt to open the fuel cell. When the fuel used up, do not incinerate the bottle. Follow the recycle instruction on the bottle.
- Do not store the tool in temperature above 120°F(50°C). High temperature will result in explosion or fire and the release of flammable gas. When not in use, keep the tool from high temperature source or direct sun light.
- The tool needs to be used in well ventilated area. Do not inhale the exhaust or fume or the gas because they are potentially dangerous to human body.
- Keep body balance when operating the tool, do not over reach.
- Keep the tool, fuel, charger and battery out of the reach of children. The tool is dangerous in the hand of untrained person.

Tool safety warning

- Do not modify or repair the tool in any method other than the original design. The tool may function unexpectedly after the modification and cause dangerous.
- Never point the nozzle of the tool to anyone includes yourself. This tool is self-contained with power source and will be dangerous if not use with care. Always assume the tool is loaded with nail and fuel.

- Do not drive this tool over materials that is too hard or too soft. Hard material can ricochet nail and hurt people, soft material may be penetrate easily and cause the nail to free fly.
- Please use only lubrication liquid specified in this manual to perform the lubrication. Use other lubrication may cause damage to the tool and the risk of malfunction that will injure the operator.
- Please keep the tool in clean condition, wipe off grease or oil after work. Do not use any solvent based cleaner to clean the tool. It is possible the solvent will deteriorate the rubber or plastic components on the tool. Greasy handle and body will cause accidental drop of the tool and injury to nearby person.
- Please use fastener specified in this manual and on the tool. Use fastener that is not compatible to the tool will cause jamming of the tool and injury to operator or nearby person.
- Do not use the tool to perform other job than designate function. Especially not use the tool as a hammer, impact on the tool will increase the risk of cracked body and accidental discharge of fastener.
- Remove the fuel cell and battery before performing maintenance, repair, cleaning and jam clearing.
- Load the fastener at last to prevent unexpected danger of loading fuel cell and battery.
- Never use the tool if the trigger and safety or springs are damaged in any way.
- When fastening electrical cables, make sure the cables are not energized.
- Hold the tool only by insulated gripping surfaces. Use only fasteners designed for electrical cable installations. Inspect that the fastener has not damaged the insulation of the electrical cables. A fastener that damages the insulation of electric cables can lead to electric shock and fire hazards.

Fuel safety warning

- Use only the fuel cell recommended by the manufacturer. Read the Safety Data Sheet to understand more of your fuel cell contents.
- Recycle the empty fuel cell according to the local law. Do not attempt to recharge the fuel cell or incinerate the empty fuel cell.
- Do not expose the fuel cell or tools loaded with fuel cell under direct sun light exposure. Prevent to put above items at temperature higher than 120°F(50°C). Overheating the fuel cell can result in explosion or fire.
- Do not puncture or attempt to open the fuel cell. The fuel cell contains flammable gas even if it appears empty.
- The content of the fuel cell is extremely flammable, keep it away from all source of ignition.

Charger safety warning

- Do not use the charger in explosive atmosphere. The electrical device is not designed to use in such environment.
- Do not charge battery outdoors or in temperatures below 40°F (5°C).
- Do not puncture or attempt to open battery case or cells.
- Do not immerse the charger into water or other fluid. Do not expose the charger under rain or snow.
- Do not use the charger if the cord is damaged or the charger is defect.
- Unplug the charger by pulling the adaptor unit, not by pulling the cord.
- Do not cover the charger with anything.
- Do not use a step up transformer or engine generator as the power source of the charger.

Battery charger safety warning

Battery charger specification :

INPUT SPECIFICATION

Model	2KITCHA
Input Voltage Range	100-240 VAC
Input Frequency	50/60 or 50-60Hz
Inrush Current	40A max.(Cold Start)

GENERAL SPECIFICATION

Efficiency	75% typ
Leakage Current	0.35mA max
Pre-Charge Current	0.15A-0.25A
Pre-Charge Voltage	4V< V battery<6V
Complete Charge	2A
Constant Voltage	8.2V-8.4V
Complete Charge	<0.15A typ
Total Charge Time	2 Hours max
Overvoltage Protection	8.5V typ
Work Temperature	0°C -50°C
Battery Pack Temperature Protection	T < 0°C or T > 55°C
Continuous Output Power	17W max

ENVIRONMENTAL SPECIFICATIONS

Operating Temperature Range	0°C to 50°C
Temperature Coefficient	±0.02%/°C
Storage Temperature Range	-20°C to +85°C
Humidity, Non-Condensing	0 to 95% RH
Cooling	Free- Air Convection
EMI	Meets CISPR22 Class B Specification
Safety SPECIFICATIONS	UL1310 & IEC60335-2-29

Battery safety warning

Battery pack specification :

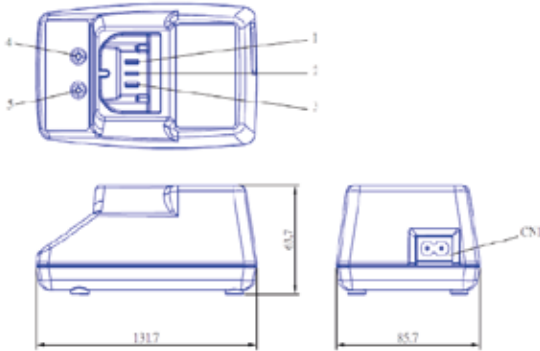
Battery	BOSSONG	12BAT7V
	Type	Li-ion battery
	Voltage	DC 7.2V - 2,5Ah
	Dimension	52.2 mm (L) X 41.9 mm (W) X 85.5 mm (T)

- Use only batteries that are supplied by BOSSONG.
- Recycle the battery according to local law. Do not incinerate the battery or attempt to puncture and crush the battery.
- Do not immerse the battery into water or other fluid. Do not expose the battery to rain or snow.
- Do not expose the battery or tools loaded with battery under direct sun light exposure. Prevent to put above items at temperature higher than 120°F(60°C). Overheating the battery can result in explosion or fire.
- Do not allow direct contact of the battery terminals with metal or conductive material.

Remarks: Please refer to the technical data sheet for the battery specifications.

PHYSICAL SPECIFICATIONS

MECHANICAL OUTPUT AND CONNECTIONS



CN1 Input: Using 2 Pins Solteam ST-02H-BP(IEC60230 C8) or Equivalent	
Pin	Input voltage
L&N	90-264 VAC
Output	
Pin	Output
1	Bat+
2	NTC
3	Bat-
4	LED RED
5	LED GREEN

NOTES
 1. All dimensions in mm.
 2. Tolerance .XX \pm 1.0mm, .XX \pm 0.5mm

Do not use the battery charger in explosive atmosphere. The electrical device is not designed to use in such environment.

Charge the battery cartridge with room temperature at 0 °C - 50 °C . Let a hot battery cartridge cool down before charging it.

Do not charge battery outdoors or in temperatures below 0°C.

Do not puncture or attempt to open battery case or cells.

Do not immerse the battery charger into water or other fluid. Do not expose the battery charger under rain or snow.

Do not use the battery charger if the cord is damaged or the battery charger is defect.

Unplug the battery charger by pulling the adaptor unit, not by pulling the cord.

Do not cover the battery charger with anything.

Do not use a step up transformer or engine generator as the power source of the battery charger.

Limited to Li-ion battery pack, Model No. AG34/100-A1.

Do not recharge non-rechargeable batteries.

During charging, the battery must be placed in a well-ventilated area.

This appliance can be used by children aged from 8 years and above and persons with reduced physical, sensory or mental capabilities or lack of experience and knowledge if they have been given supervision or instruction concerning use of the appliance in a safe way and understand the hazards involved. Children shall not play with the appliance. Cleaning and user maintenance shall not be made by children without supervision.

Detachable Power Supply Cord-Listed(ELBZ/7) or Listed(ELBZ),CAS Certified, detachable type, length minimum 1.8m and 3m, rated 300V , Type SPT-2flexible cord, 18AWG/2C,105°C, one end terminates in a non-grounding type attachment plug of 15A, 125V(NEMA 1-15P), other end provided with molded-on connector which match with the appliance Inlet.



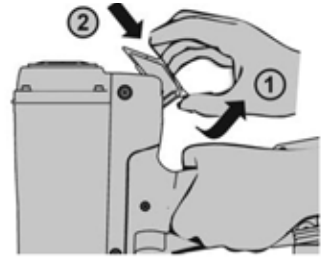
This device complies with Part 15 of the FCC Rules. Operation is subject to the following two conditions: (1) This device may not cause harmful interference, and (2) this device must accept any interference received, including interference that may cause undesired operation.

Remarks: Please refer to the technical data sheet for the battery charger specifications.

2. Operation instruction

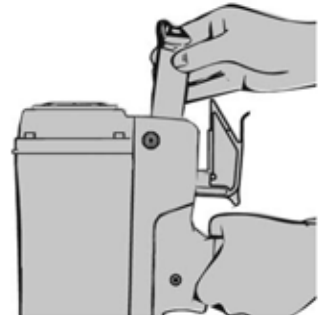
Load and unload the fuel cell

- Open the fuel cell door by pulling the door and rotate.
- Insert the fuel cell into the chamber.
- Align the fuel cell nozzle to the fuel stem on the tool.
- Close the fuel cell door.



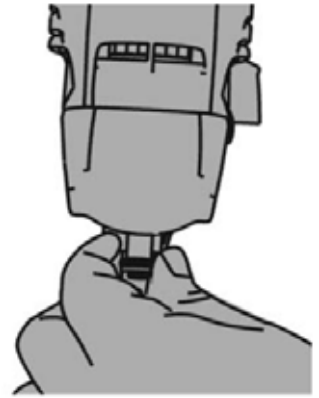
Load and unload the fastener

- Connect to battery and fuel cell before you load the fasteners. The tool had the chance to cycle once when connected to the battery. If you load the fastener before the battery connected, the fastener may be shoot out accidentally.
- Point the nozzle away from any personnel and keep your finger out of trigger when loading the fastener.
- To load the nail, slide in the nail strip into the magazine until the nail strip passed the nail stopper.
- Pull the pusher until it is beyond the stopper.
- Release the pusher to engage the nail strip and feed it into the nozzle.
- To unload the fastener from the magazine, press the release lever on the pusher and tilt the tool to slide the nail strip to the rear end of the magazine.
- Unload the nail strip by press the nail stopper and slide out the nail strip.
- For 3 steps magazine design, follow the same safety precaution and continue with following steps
- To load nail, pull the pusher to the rear until it is locked to the magazine at rear position.
- Slide nail strip into the magazine.
- Release the pusher to push the nail into the nozzle.
- To unload the fastener from the tool, pull the pusher to the rear locking position. Slide the nail out of the magazine.



Depth of drive adjustment

- This tool is equipped with tool free depth of drive adjustment. Test the depth of drive on scrap piece before you start your work.
- Regulate the knob to adjust the depth of drive.
- Repeat above procedure until you find your desired depth of drive setting.

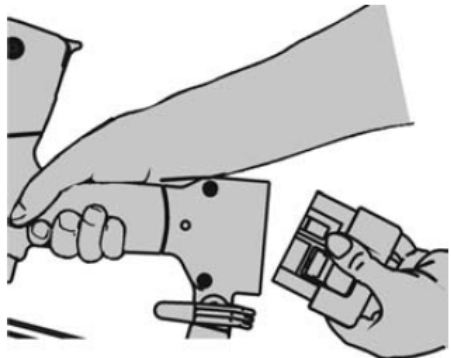


Actuate method and the steps to fire the tool

- This tool is equipped with single sequential trigger system only.
- To actuate the tool, depress the safety against the work piece, and then pull the trigger.
- To actuate the tool again, you will need to release the safety fully and release the trigger before you repeat above procedure.
- Make sure you are driving against work piece before you pull the trigger.

Jam clearing for tool

- In the case of nail jam, disconnect the power source (fuel cell and battery) before you perform any action.
If your tool is equipped with jam clear door, open the quick jam clear door on the side to expose the jammed nail.
If your tool is equipped with removable nozzle, press the release button and pull off the nozzle.
- Remove the jammed nail with needle nose pliers or similar type of tool. Do not use your hand to remove the nail.
- Close the jam clear door or assemble back the nozzle after you clear the jam.



Charge the battery and LED showed on tool and battery charger

- There is battery come along with the tool.-There will be red LED lightening when the battery charger is connected to electric power and no battery is on the battery charger.
- The LED indicator on the battery charger will turn red when it is charging a battery.
- The other LED indicator will turn green when the battery is fully charged.
- In the case of abnormal battery temperature, the red LED will blink in sequence.
- In the case of abnormal battery, the red LED light up and replaces the new now.
- When the tool is connected to a charged battery, the LED indicator on the tool will turn green.

State of Battery Charger LED Indicator			
	State	Red LED	Green LED
1	Idle – Input Power Available	ON	OFF
2	Battery Installed and Charging	ON	OFF
3	Battery at Full Charge	OFF	ON
4	Over Temperature Protection	Blink(ON 0.5s/ OFF 0.5s)	Blink(ON 0.5s/ OFF 0.5s)
5	Over Charge Time	Blink(ON 0.5s/ OFF 0.5s)	Blink(ON 0.5s/ OFF 0.5s)

3. Maintenance instruction

Warning: disconnect the power source (fuel cell and battery) before performing any maintenance

General maintenance

- Keep the tool in clean condition at all times. Wipe off grease or oil with dry clean cloth to prevent accidental tool drop. Avoid to use solvent base cleaner to clean the tool, certain solvent will damage or weaken the composite parts of the tool.
- Clean the intake filter regularly to keep the tool in full efficiency.

Lubrication and cleaning

- This tool should not need extra lubrication since the fuel already contains some lubrication oil.
- The combustion chamber and cylinder can be cleaned by applying automobile carburetor cleaner. You will need to remove the 2 screw on the handle and 4 screws on the top cap to expose the internal component of cylinder.

Cold weather

- This tool is not suggested to be used in cold winter. The cold weather will decrease the combustion efficiency and also the battery performance. Use the tool only at temperature above : -7°C (19°F).

Storage

-When not in use for an extended period, apply a thin coat of the lubricant to the steel parts to avoid rust. Do not store the nailer in a cold weather environment. When not in use, the nailer should be stored in a warm and dry place. Keep out of reach from children.

4. The display shows the status of the battery on the tool

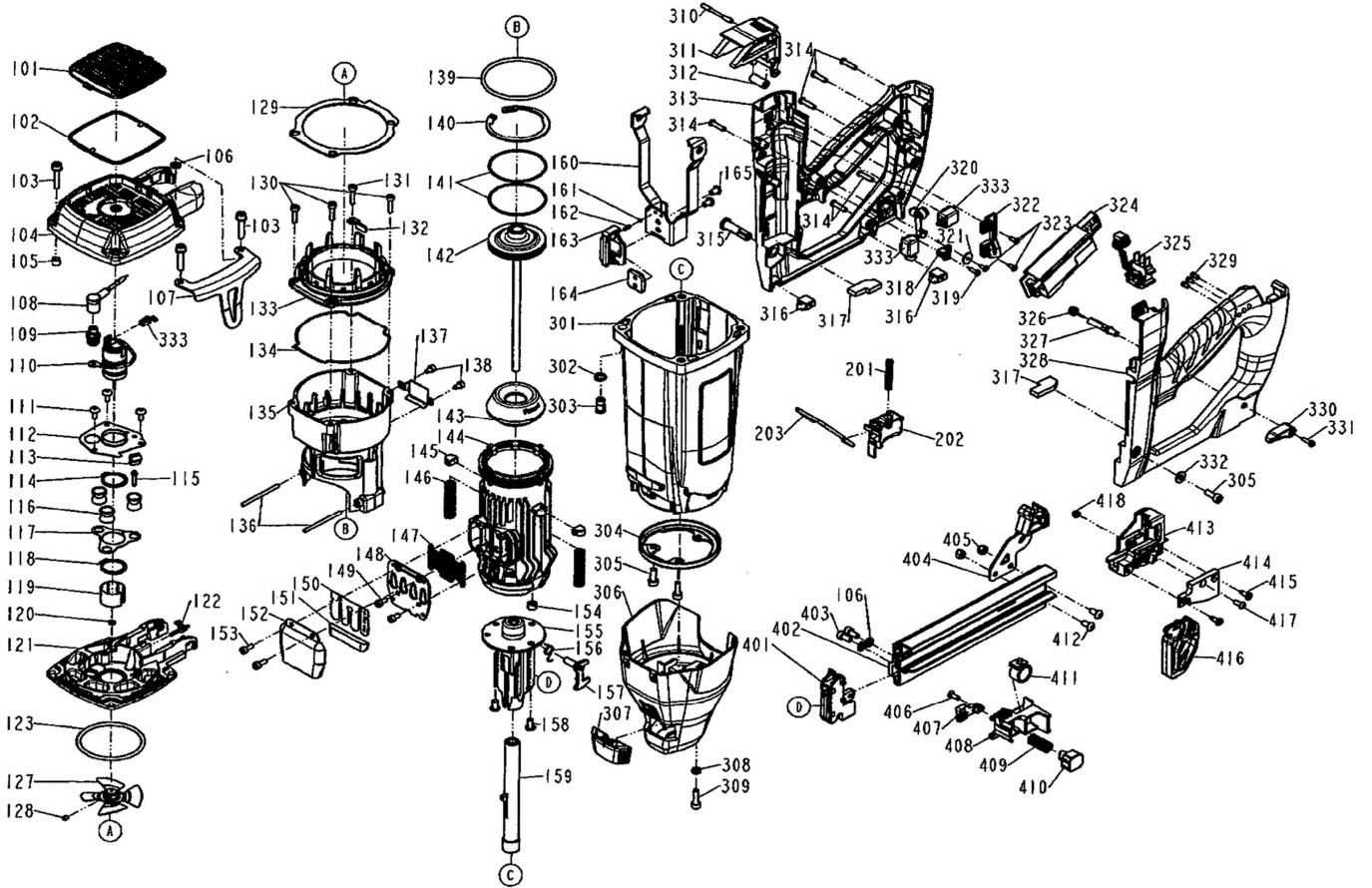
Status	Meaning
Battery capacity more than 80%	All LED light green
Battery capacity more than 80% to 60%	Two LED light green
Battery capacity more than 60% to 40%	One LED light green
Battery capacity more than 40% to 20%	One LED blinks green
Battery capacity below 20%	One LED red

4. Trouble shooting

symptom	Counter measures
Red LED indicator light is on and the tool did not operate.	<ul style="list-style-type: none"> • Battery charge might be too low. • Replace battery with a fully charged one.
Tool operates normally but did not drive the nails to flush.	<ul style="list-style-type: none"> • If the number of remaining nails is 3, insert another strip. • Adjust the depth of drive setting to dee pest. • Clean the cylinder with proper cleaner. • Check fuel cell and replace as required. • Depress the safety and hold for 1 minute before activate the trigger. If the tool did not fire, there might be seal leaking over the combustion chamber. Send to service center near you.
Fan does not run and the indicator light is red.	<ul style="list-style-type: none"> • The battery is out. Replace the battery with a fully charged one. • The battery node is dirty or oily. Clean the battery node with clean cloth. • If all above did not work, send to service center near you.
Battery does not accept charge or the charger get hot when charging.	<ul style="list-style-type: none"> • Replace the battery. If this action corrects the problem, the battery is damaged or exhausted. • Replace the charger if the battery works fine on tool but can not be charged on charger..
Charger get hot, make noise or start to smoke	<ul style="list-style-type: none"> • The charger is damaged and should not be used any more. Unplug the charger immediately and replace it with a new charger.
Work contact element is not fully depressed and the tool can not be used.	<ul style="list-style-type: none"> • The work contact element is bend or the track of the safety mechanism is sticky to the dirt build up. Clean the safety track. Repair or replace the work contact element. • Lock out mechanism is active. Load more nails.

symptom	Counter measures
Tool will not cycle, the indicator LED is green and the fan runs.	<ul style="list-style-type: none"> • Run out of fuel, replace a new fuel cell. • Spark wire is loose, check the spark wire by removing the cap. • Spark plug is dirty. Clean the spark plug. • If all above did not work, send to service center near you.
Tool operate normally, but no nail is driven	<ul style="list-style-type: none"> • Wrong type of nails was used. Please change to correct nail spec. • The cylinder needs cleaning. • Nail is jammed, clean the jammed nail before use. • The nail pusher did not engage properly with the nail strip. Adjust to fully engagement.
Combustion chamber is not returning to start position.	<ul style="list-style-type: none"> • The work contact element is bending or dirty. <p>Check the work contact element and repair or replace it. Clean the safety track.</p>
Driver did not return to initial position, miss fire frequency get higher than usual.	<ul style="list-style-type: none"> • Check and replace fuel cell. • Clean the tool with proper cleaning fluid. • Check for piston ring wear status. • The tool maybe over heated. Clean or replace the intake air filter.
Tool appears to be loosing power.	<ul style="list-style-type: none"> • Check fuel cell. • Clean or replace air intake filter. • Check spark plug wire. • Clean the tool with proper cleaning fluid.
For failure other than above situation, please stop using the tool and contact your local dealer for service.	

BOSS G42



Repère	Code	Français	English	Deutsch
101	12B03092	Défecteur	Deflector	Deflektor
102	12B02538	Filtre	Filter unit	Filter
103	12B02789	Vis C HC M5-25	Bolt w/flat washer	Schraube
104	12B02541	Couvercle	Cap	Deckel
105	12B02540	Entretoise	Collor	Zwischenteil
106	12B00834	Rondelle	Flat washer	Scheibe
107	12B03106	Crochet	Spring retainer	Haken
108	12B03107	Câble haute tension	High voltage cable set	Hochspannungskabel
109	12B02544	Bougie d'allumage	Sparkler	Zündkerze
110	12B02545	Moteur	Motor unit	Motor
111	12B02547	Vis B HC M4-10	Half round head hex.bolt	Schraube
112	12B02548	Plaque de centrage	Positioning sheet	Positionierblatt
113	12B02549	Support câble de masse	Ground wire bracket	Erdungskabelhalterung
114	12B02546	Circlips	C-ring	C-Ring
115	12B02593	Goupille	Positioning shaft	Stift
116	12B02592	Silentbloc	Feed bumper	Puffer
117	12B02601	Entretoise	Spacer	Zwischenteil
118	12B02594	Circlips	C-ring	C-Ring
119	12B02550	Manchon moteur	Sleeve motor	Muffe
120	12B02551	Rondelle de guidage	Washer-motor shaft	Scheibe
121	12B03108	Culasse	End cap-combustion chamber	Zylinderkopf
122	12B02552	Injecteur	Fuel stem adapter	Kraftstoffvorratsadapter
123	12B03109	Joint	O-ring	O-Ring
127	12B02559	Ventilateur	Cooling fan Assy	Fan
128	12B02558	Vis d'appui	Hex. Soc. Head screw	Schraube
129	12B02949	Joint	Spacer	Dichtung
130	12B02562	Vis C HC M4-16	Hex. Soc. Head bolt	Schraube
131	12B00000	Vis C HC M4-16	Hex. Soc. Head bolt	Schraube
132	12B02698	Guide	Guide	Führung
133	12B02944	Chambre de comb. Sup.	Upper combustion chamber	Obere brennkammer
134	12B02564	Joint	Packing	Dichtung
135	12B02660	Chambre de combustion	Combustion chamber	Brennkammer
136	12B02567	Goupille	Pin	Stift
137	12B02565	Protection	Washer	Schutz
138	12B01822	Vis C HC M4-6	Hex. Soc. Head bolt	Schraube
139	12B03110	Joint	O-ring	O-Ring
140	12B03091	Circlips	C-ring	C-Ring
141	12B03111	Segment	Piston ring	Kolbenring
142	12B03112	Piston	Driver unit	Kolben
143	12B02572	Amortisseur	Bumper	Puffer

144	12B03113	Cylindre	Cylinder	Zylinder
145	12B02574	Amortisseur	Bumper-combustion chamber	Puffer
146	12B02575	Ressort	Safety spring	Feder
147	12B02576	Filtre	Exhaust mesh plate	Filter
148	12B02578	Support clapet	Exhaust baffle	Platte
149	12B00676	Vis C CH M4-8	Hex. Soc. Head bolt	Schraube
150	12B02580	Clapet	Reed valve	Ventil
151	12B02581	Filtre	Cleaner	Filter
152	12B02582	Défecteur	Deflector	Deflektor
153	12B00148	Vis C HC M4-10	Hex. Soc. Head bolt	Schraube
154	12B03114	Entretoise	Self-tapping sleeve	Zwischenteil
155	12B03115	Nez	Nose piece	Naze
156	12B03116	Ressort	Spring A	Feder
157	12B03117	Loquet	Stopper	Riegel
158	12B01177	Vis B HC M5-10	Half round head hex.bolt	Schraube
159	12B03118	Palpeur de sécurité	Safety A	Auslösesicherung A
160	12B03119	Sécurité B	Safety B	Auslösesicherung B
161	12B02057	Bille	Steel ball	Kugel
162	12B03120	Ressort	Spring	Feder
163	12B03121	Couvercle A	Driver guide cover A	Deckel A
164	12B03122	Couvercle B	Driver guide cover B	Deckel B
165	12B03123	Vis B HC M5-8	Half round head hex.bolt	Schraube
201	12B02602	Ressort	Spring	Feder
202	12B03124	Gâchette	Trigger	Auslöser
203	12B03125	Sécurité	Safety	Sicherung
301	12B03126	Corps	Gun body	Gehäuse
302	12B02606	Rondelle	Washer cap	Scheibe
303	12B02607	Insert	Cap nut	mutter
304	12B03127	Plaque de fixation	Cylinder bracket	Platte
305	12B03128	Vis C HC M5-14	Hex. Soc. Head bolt	Schraube
306	12B03129	Couvercle de protection	Safety cover	Schutzabdeckung
307	12B03130	Selecteur	Glove	Selektor
308	12B03131	Entretoise	Latch spring bushing	Zwischenteil
309	12B02630	Vis C HC M5-16	Hex. Soc. Head bolt	Schraube
310	12B02612	Goupille	Pin-fuel actuator	Stift
311	12B02613	Levier d'injection	Fuel actuator	Gas Deckel
312	12B02614	Rouleau	Bush-fuel actuator	Zwischenteil
313	12B03132	Poignée A	Handle A unit	Griff A
314	12B00844	Vis	Tap bolt	Schraube
315	12B02616	Axe	Handle bolt	Stift
316	12B03133	Amortisseur	Feed bumper	Puffer
317	12B02952	Entretoise pour gaz PO55210	Spacer	Zwischenteil
318	12B03134	Support	Bracket unit	Kabelführung
319	12B02620	Vis	Self tapping bolt	Schraube
320	12B03135	Levier	Motor fan switch lever unit	Schalterhebel
321	12B01595	Rondelle	Flat washer	Scheibe
322	12B03136	Couvercle	Positioning sheet	Deckel
323	12B02619	Vis	Self tapping bolt	Schraube
324	12B03137	Module électronique	PCB Assy	PCB Modul
325	12B03138	Connecteur batterie	Connector unit	AKKU Stecker
326	12B03139	Ressort	Spring A	Feder
327	12B03140	Axe du loquet	Stopper	Sicherungsstift
328	12B03141	Poignée B	Handle B unit	Griff B
329	12B03100	Couvercle LED	LED cover	LED Deckel
330	12B03142	Levier du loquet	Wrench	Verriegelungshebel
331	12B02079	Vis C HC M3-12	Hex. Soc. Head bolt	Schraube
332	12B00787	Rondelle	Flat washer	Scheibe
333	12B03143	Faisceau électrique	Motor cable	Motor Kabel
334	12B03093	Gaine isolante	Insulating sleeve	Isolierhülse
401	12B03144	Guide	Driver guide	Kolbenführung
402	12B03145	Magasin A	Magazine A	Magazin A
403	12B01736	Vis C HC M5-10	Hex. Soc. Head bolt	Schraube
404	12B03146	Support magasin	Bracket unit	Magazinträger
405	12B02785	Ecrou nilstop M5	Lock nut	Mutter
406	12B01701	Vis	tap bolt	Schraube
407	12B03147	Poussoir	Pusher	Kloben
408	12B03148	Manette du poussoir	Protecting hood cover	Klobengriff
409	12B03149	Ressort	Spring	Feder
410	12B03150	Bouton du poussoir	Pusher button	Druckknopf
411	12B02972	ressort	Spring	Feder
412	12B03151	Vis B HC M5-10	Half round head hex.bolt	Schraube
413	12B03152	Couvercle	Protecting hood cover	Deckel
414	12B03153	Couvercle	Door	Deckel
415	12B03154	Vis	tap bolt	Schraube
416	12B03155	Pied	Guide bulb unit	Magazinfuss
417	12B00108	Vis B HC M4-10	Half round head hex.bolt	Schraube
418	12B00048	Ecrou nilstop M4	Lock nut	Mutter

5. Declaration of conformity

Technical data BOSS G42

Model number	: BOSS G42
Type of tool	: Gas Nailer
Dimension	: 432× 130× 385 mm · 327× 130× 385 mm
Weight of tool	: 3.9 kg(8.60lb) · 3.8 kg(8.38lb)
Maximum setting per hour	: 1000 shots/hour
Drive rate	: 1-2shots/sec
Fuel	: Propane/Butane liquified
Rated input	: 100-240 Vac, 50/60 Hz,
Battery capacity	: 2500 mAh
Battery voltage	: 7.2 Vdc
Maximum setting per charge	: 8000 shots/charge
Fuel cell number of shots	: 1200 shots/can
Operate temperature	: -7°C (19°F)~49°C (120°F)
Noise characteristic values in accordance with EN 12549+A1	
A-weighted sound pressure level at workstation	: 98.3 dB
A-weighted sound power level	: 103.4dB
Peak C-weighted instantaneous sound pressure level at workstation	: < 130 dB
Measurement uncertainty (Standard)	: 2.5 dB
Vibration value according to ISO 8662-11+A1	: 2.83 m/s ²
Measurement uncertainty (Standard)	: 1.37 m/s ²
Fastener specifications	: Angle 0°, diameter 2.6- 3.0mm, length 15 - 38 mm and plastic collated
Actuating system (∇ safety yoke installed)	: full sequential actuation
Filling the magazine.	
1. Load nails through the slot in the back.	
2. Pull back pusher and it will catch the nails and push them forward as it returns.	

Declaration of Conformity

We

Bossong SpA,
Via Enrico Fermi 49-51, 24050 Grassobbio (BG) Italy

declare under our sole
responsibility that the
conforms with the directive
and the standards

Gas Nailer BOSS G42
2006/42/EC (MSD) · 2014/35/EU (LVD) · 2014/30/EU (EMC)
2011/65/EU (RoHS) · 2012/19/EU(WEEE)
EN ISO 12100 · EN 792-13+A1 · EN 12549+A1 ·
ISO 8662-11+A1 · EN 60745-1+A11 · EN 60745-2-16 ·
EN 55014-1+A2 · EN 55014-2 · EN 50581
(add. for Charger): EN 60335-1+A13 · EN 60335-2-29+A2
(add. for Battery Pack): EN 62133

Serial number:

Signed



Andrea Taddei – Direttore Generale

Date: 12/06/2019



Bossong S.p.A. - via Enrico Fermi nr .49/51 - 24050 Grassobbio - Bg - ITALY
Tel. 035 3846 011 - Fax 035 3846 012 - www.bossong.com - info@bossong.com